

GS/P 25S4 1185X555 INOX

THE INOX SCALE PALLET TRUCK



SCALE TRUCK GS/P INOX

The GS/P pallet truck is an intelligent and robust tool to be used for weighing and transporting your loads at the same time, making stock and dispatch processes faster, simpler and more efficient. The machine can be equipped with supplements such as printer or SD memory card and thanks to the 4 load cells it is able to be very precise and functional; ideal for checking incoming goods, avoiding overloads and determining shipping weights.



STAINLESS STEEL

Robust and reliable AISI 304 electropolished stainless steel chassis, with smooth surface that prevents germs and bacteria, ideal for use where hygiene is of the highest importance, like in food, chemical and pharmaceutical industries. All casted parts made of brass to offer maximum resistance to humidity and oxidation.



FRAME STRUCTURE

The structure is made up of a double frame and a lower fork on which a counter fork is placed; both forks house four load cells that allow for a uniform load distribution, thus keeping weighing precision even in case of collision and unbalanced load.



BATTERY and BATTERY CHARGER

The GS/P is supplied complete with rechargeable battery and charger. The battery module provides 50 hours autonomy.



CONFIGURATION

STANDARD: Nylon extra steering wheels and rollers



PRINTER / MEMORY CARD SD (Supplement, only available at time of order)

As supplement, the machine can be equipped with a built-in printer, able to print gross, tare and net weights (kg or lb), date, quantity of pieces on the scale. It may also be supplied with another supplement, the SD memory card, allowing you to store weighing data in a text file, for archiving and processing via PC.



CE-M APPROVED WEIGHING (Supplement, only available at time of order)

As supplement, the GS/P can be designed according to CE-M norms that ensure its suitability for weighing for trade use, SOLAS approved.



Descriere

1.1 Producător			PR INDUSTRIAL
1.3 Comandă			Manual
1.4 Poziție operare			Pedestru
1.5 Capacitate maximă	Q	Kg	2500
1.6 Distanța la centrul de aplicare al sarcinii	c	mm	600
1.8 Sarcina de la osie la capătul furcilor	x	mm	975
1.9 Ampatament	y	mm	1250

Greutăți

2.1 Greutate de operare (acumulator inclus)		Kg	120
2.2 Sarcină osie, încărcare pe spate		Kg	1840
2.2 Sarcină osie, încărcare pe față		Kg	780
2.3 Sarcină osie, liber față		Kg	72
2.3 Sarcină osie, liber spate		Kg	48

Cauciucuri/Șasiuri

3.1 Cauciucuri: roți direcție			NYLON EXTRA
3.1 Cauciucuri: transportoare cu role			NYLON EXTRA
3.2 Mărime cauciuc: roți direcție - Lățime		mm	50
3.2 Mărime cauciuc: roți direcție - Diametru		mm	200
3.3 Mărime cauciuc: transportoare cu role - Diametru		mm	82
3.3 Mărime cauciuc: transportoare cu role - Lățime		mm	60
3.5 Dimensiune cauciuc: roți spate		nr	4
3.5 Dimensiune cauciuc: roți fata		nr	2
3.5 Ax de echilibru spate			No
3.6 Ecartament, față	b10	mm	155
3.7 Ecartament, spate	b11	mm	375

Dimensiuni

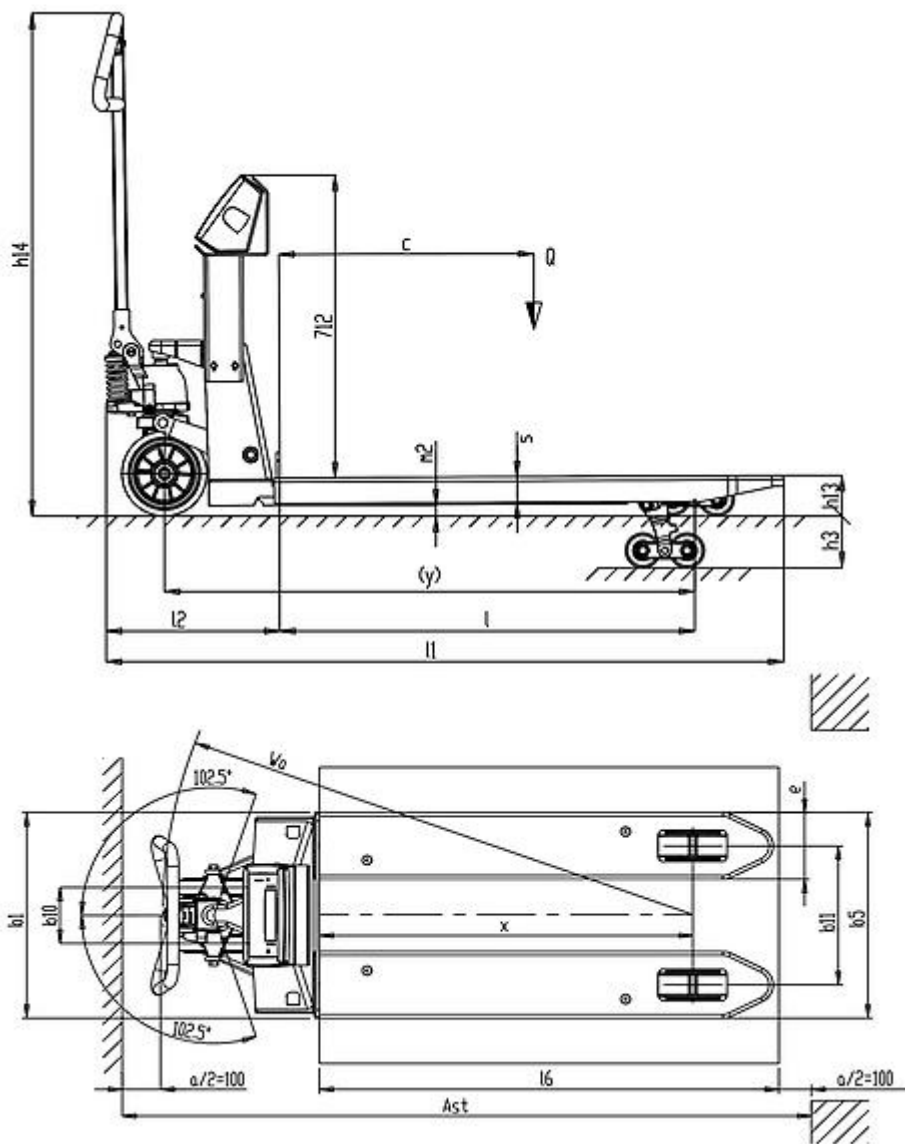
4.4 Înălțime stivuitor	h3	mm	115
4.9 Înălțime manetă în poziția de deplasare, max	h14	mm	1160
4.9 Height of tiller in drive position min	h14	mm	690
4.15 Înălțime, coborât	h13	mm	90
4.19 Lungime globală	l1	mm	1596
4.20 Distanța până la suprafața frontală a furcilor	l2	mm	411
4.21 Lățime globală	b1	mm	555
4.22 Dimensiuni furcă - grosime	s	mm	60
4.22 Dimensiuni furcă - Lățime	e	mm	180
4.22 Dimensiuni furcă - Lungime	l	mm	1185
4.25 Distanța între furci	b5	mm	555
4.32 Gardă la sol și mijloc ampatament	m2	mm	30
4.34 Lățime culoar	Ast	mm	1851
4.35 Rază de virare	Wa	mm	1426

Performante

5.2 Viteză de ridicare, încărcat	strokes	13
5.2 Viteză de ridicare, descărcat	strokes	13

Cântar

Tip		DFW 06
Cifre	Q.ty	6
Dimensiune cifră	mm	25
Kilograme		Yes
Livre		Yes
Greutate proprie		Yes
Oprire automata		Yes
Totalizare		Yes
Numărare		Yes
Timp de funcționare	h	50
Precizie	%	0.05
Celule de sarcină de tip forfecare	Q.ty	4
6.4 Capacitate acumulator	Ah	4



The information is aligned with the Data file at the time of download. Printed on 24/02/2020 (ID 9154)

©2019 | PR INDUSTRIAL s.r.l. | All rights reserved | Image shown may not reflect actual package. Specifications subject to change without notice

